



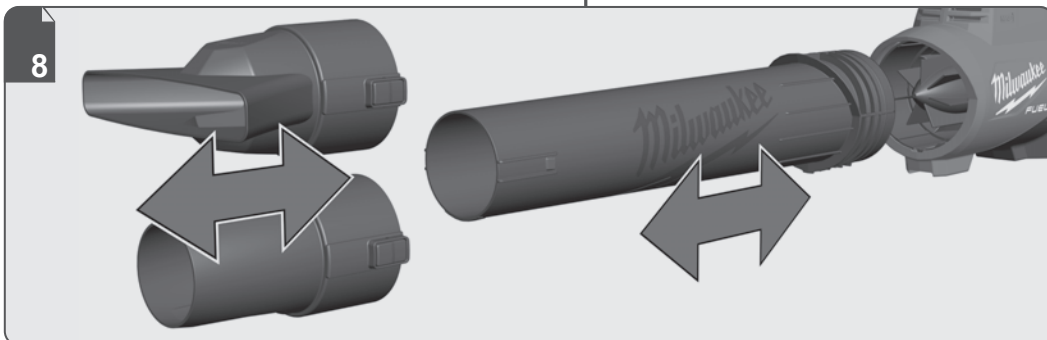
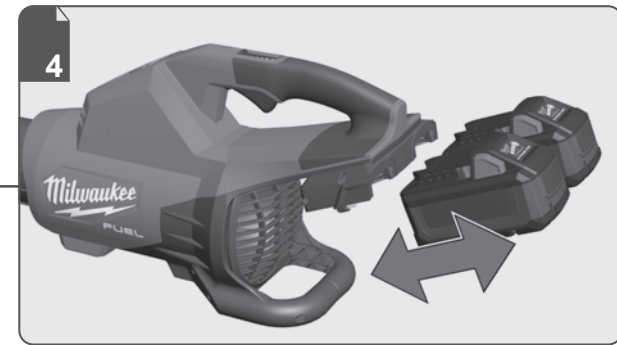
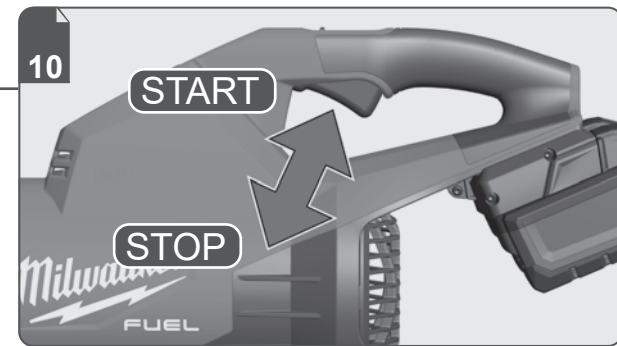
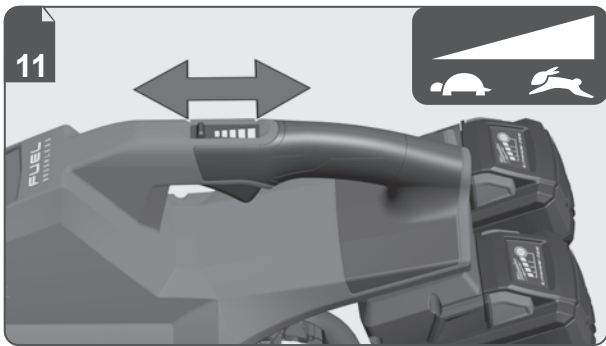
Nothing but **HEAVY DUTY.**<sup>®</sup>



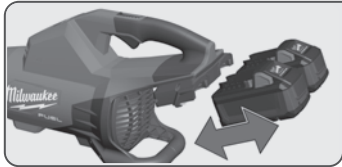
## **M18 F2BL**

---

Original instructions

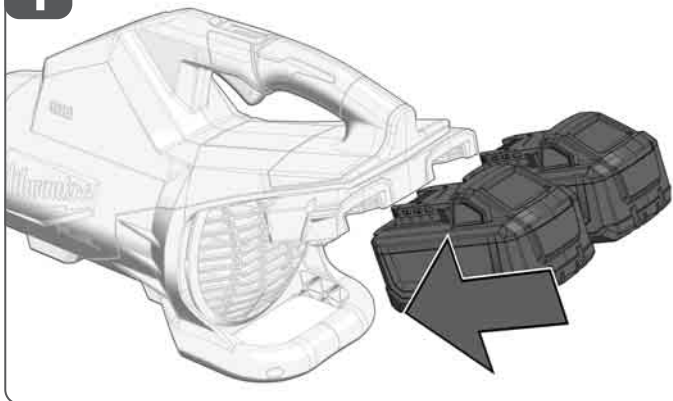


14 Text section with Technical Data, important Safety and Working Hints and description of Symbols

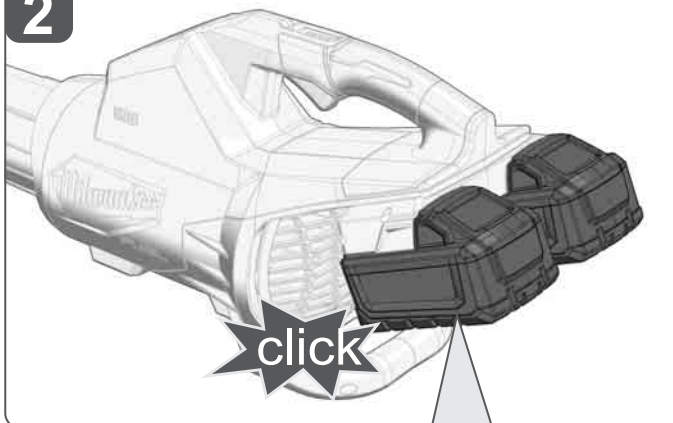


Remove the battery pack before starting any work on the machine.

1

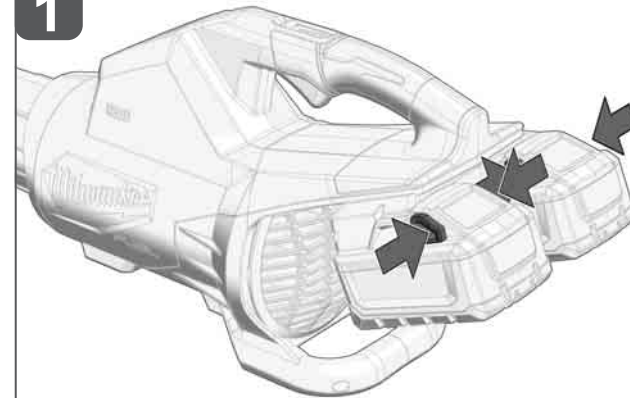


2

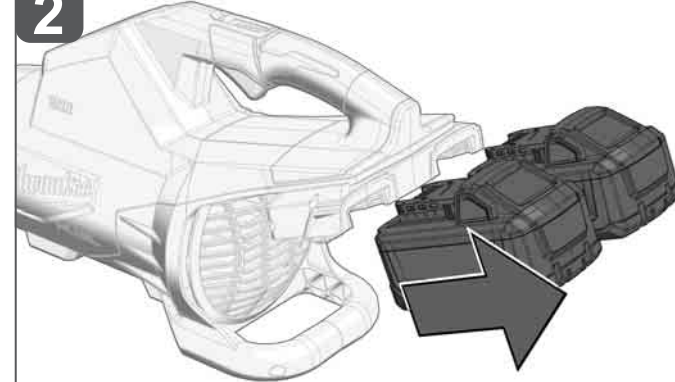


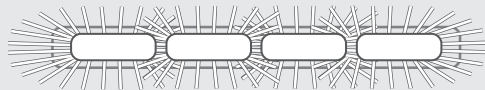
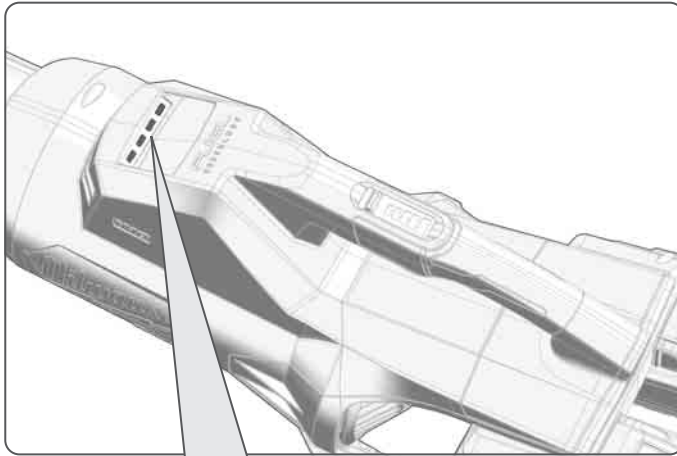
The machine only runs with 2 batteries!

1

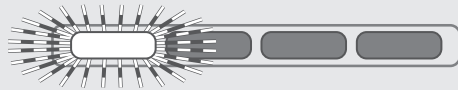


2

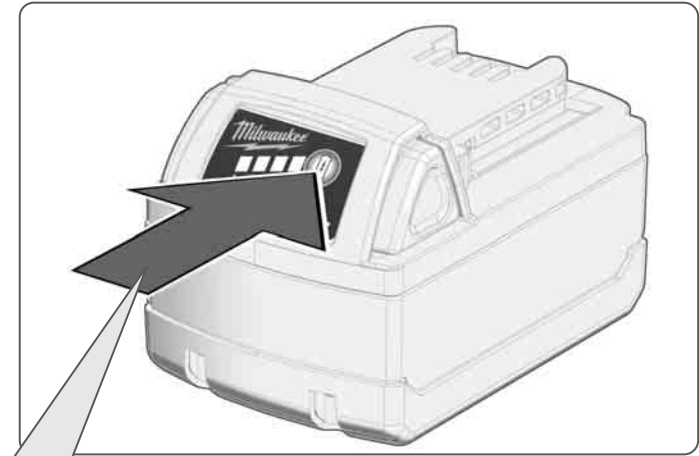
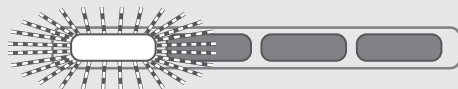




flashing slowly



flashing quickly



75-100 %



50-75 %



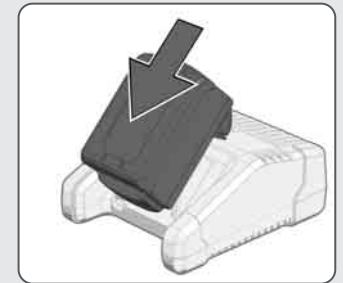
30-50 %

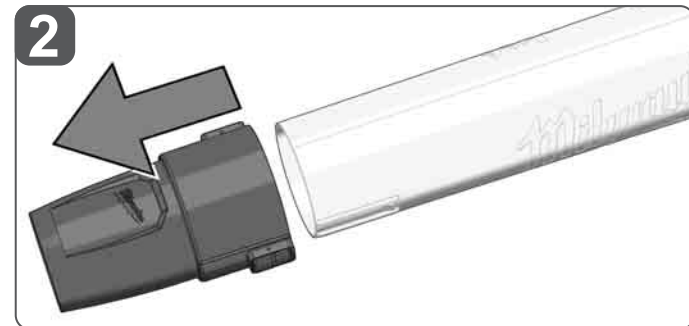
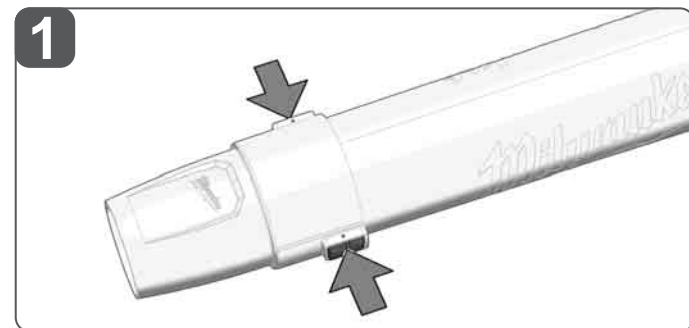
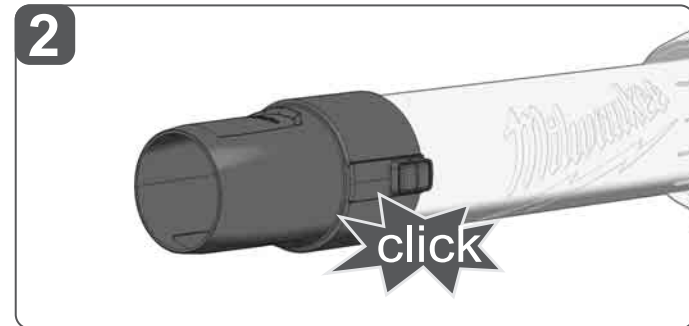
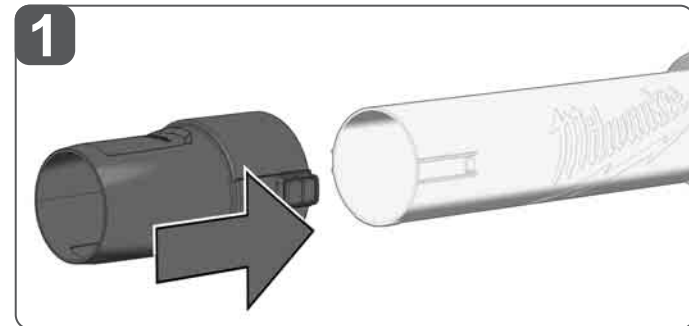
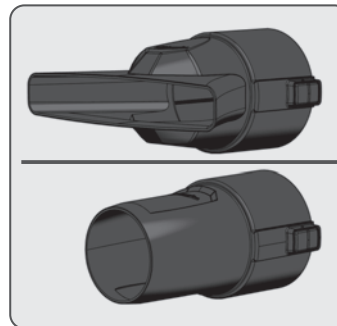
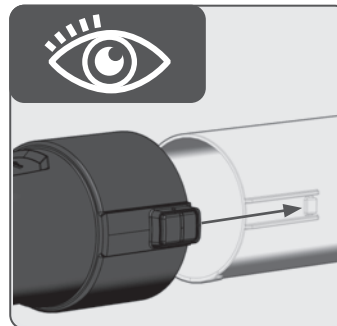
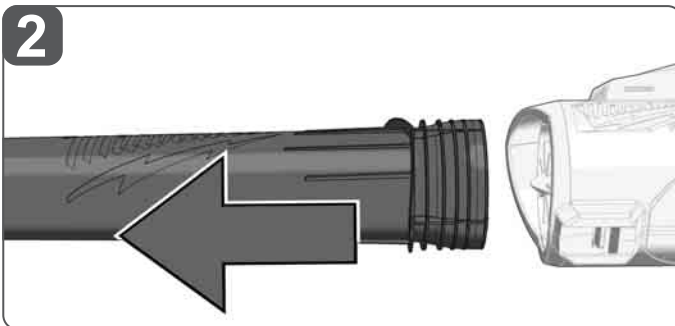
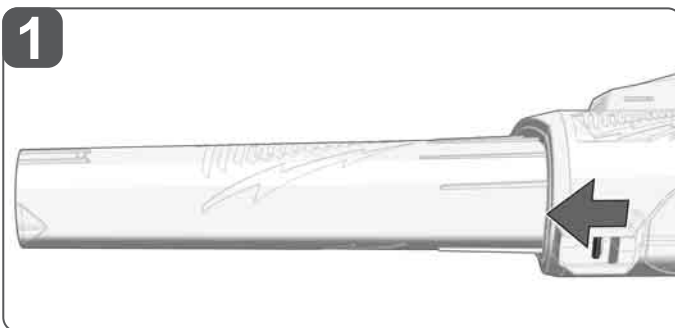
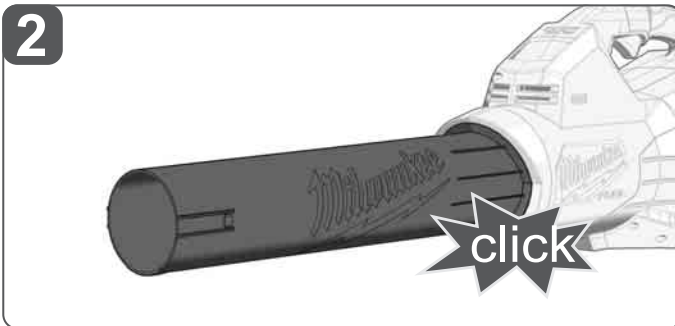
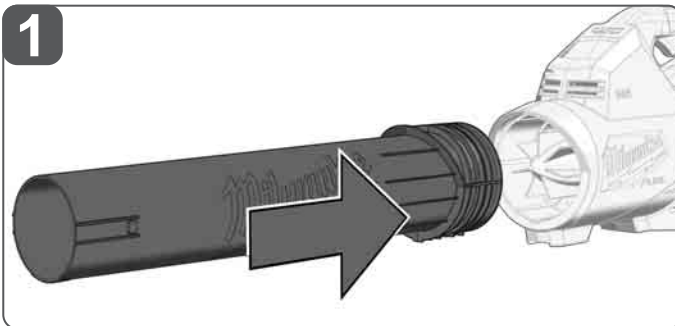
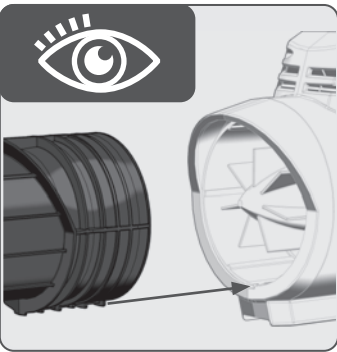
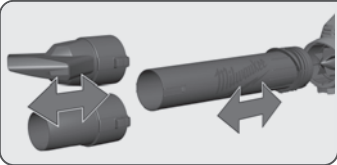


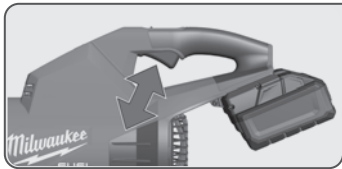
10-30 %



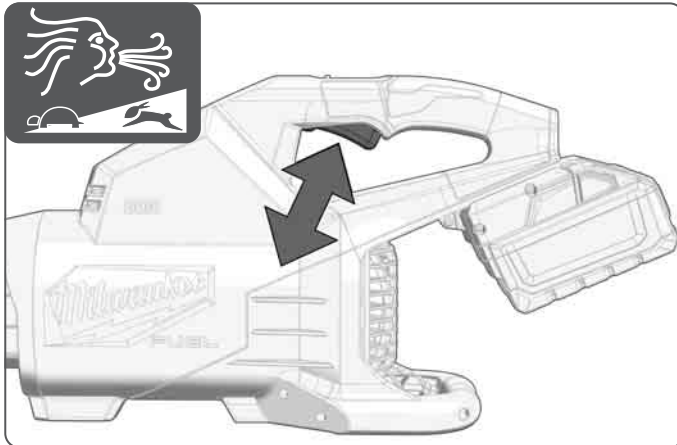
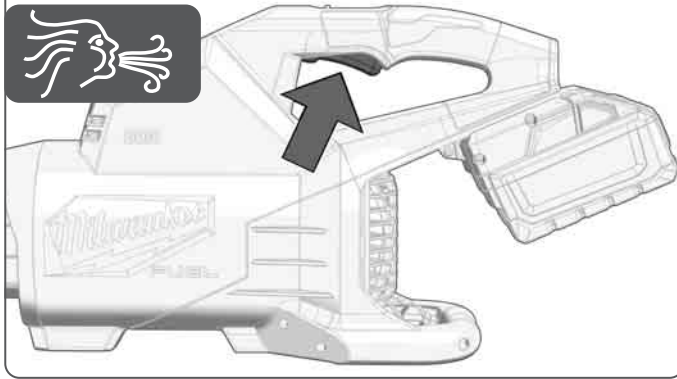
< 10 %



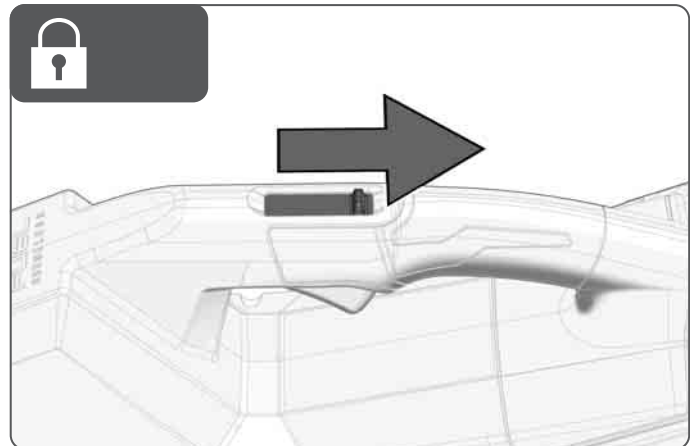
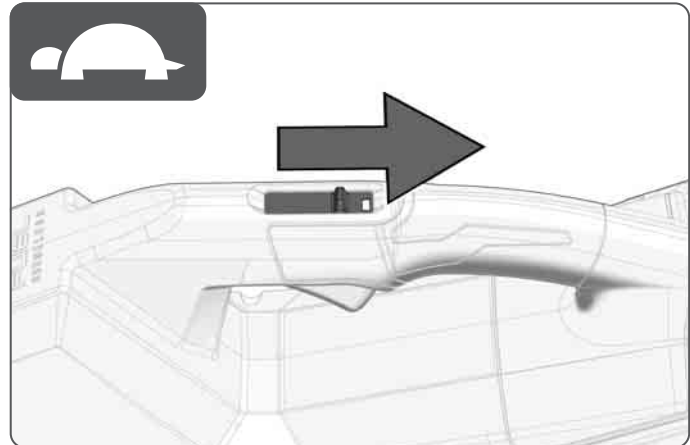
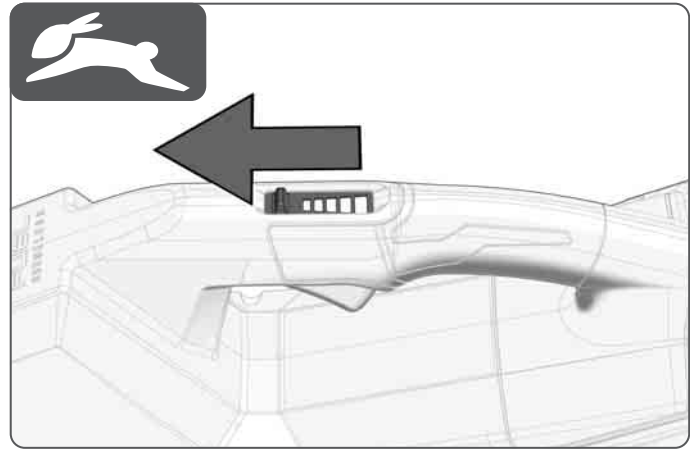
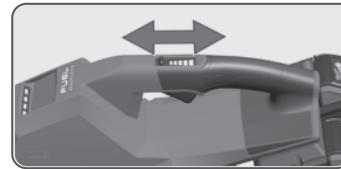
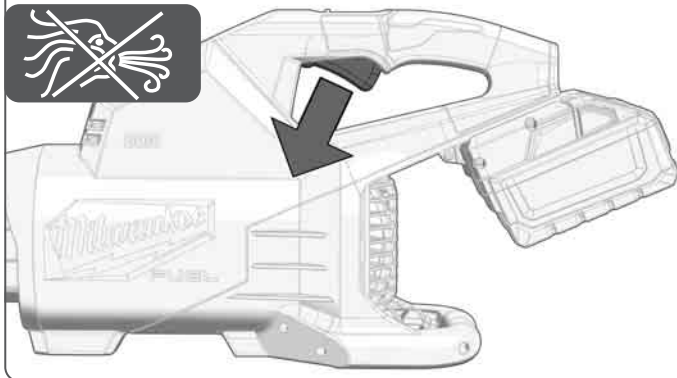


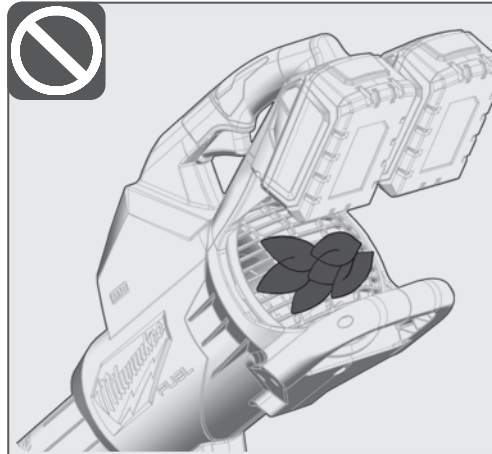


# START

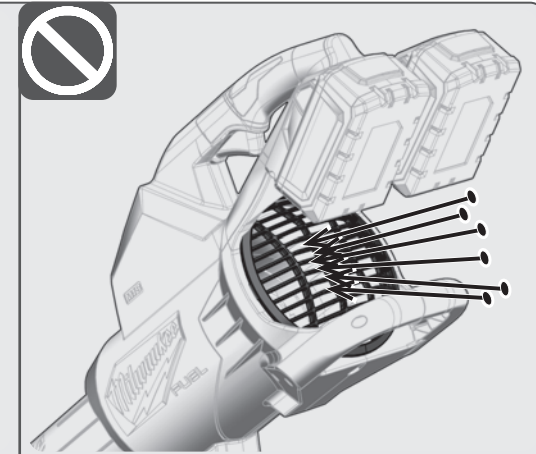


# STOP

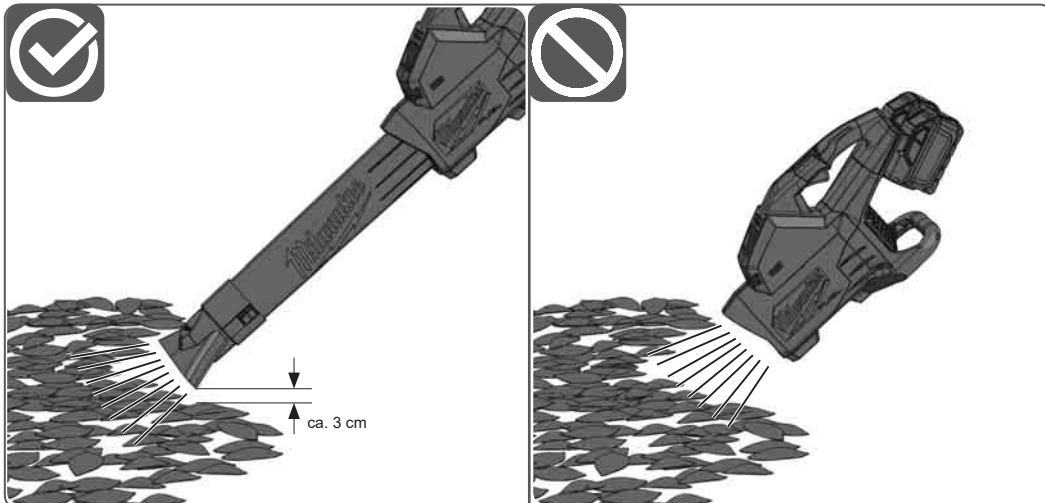




Do not cover air inlet!



Keep all cooling air inlets clear of dirt.



ca. 3 cm

TECHNICAL DATA	M18 F2BL
Type	Cordless Garden Blower
Production code	491560 01 XXXXXX MJJJ
Voltage battery	2 x 18 V ---
Rating input current	25 A
No-load speed	0-16750 min <sup>-1</sup>
Air speed	0-233 km/h
Air flow rate	0-17 m <sup>3</sup> /min
Weight according EPTA-Procedure 01/2014 (2 x 2.0 Ah ... 12.0 Ah)	3,63 ... 5,90 kg
Recommended ambient operating temperature	-18...+50 °C
Recommended battery types	M18B...; M18HB...
Recommended charger	M12-18...; M1418C6
<b>Noise information:</b> Measured values determined according to EN 50636-2-100 Annex CC.	
Typically, the A-weighted noise levels of the tool are:	
Sound pressure level / Uncertainty K	82,0 dB(A) / 3 dB(A)
Sound power level / Uncertainty K	90,8 dB(A) / 3 dB(A)
<b>Always wear ear protectors!</b>	
<b>Vibration information:</b> Total vibration values (vector sum in the three axes) determined according to EN 50636-2-100 Annex BB.	
Vibration emission value a <sub>v</sub> / Uncertainty K	0,31 m/s <sup>2</sup> / 1,5 m/s <sup>2</sup>

### ⚠ WARNING!

The vibration and noise emission level given in this information sheet has been measured in accordance with a standardized test given in EN 50636-2-100 Annex BB and may be used to compare one tool with another. It may be used for a preliminary assessment of exposure.

The declared vibration and noise emission level represents the main applications of the tool. However if the tool is used for different applications, with different accessories or poorly maintained, the vibration and noise emission may differ. This may significantly increase the exposure level over the total working period.

An estimation of the level of exposure to vibration and noise should also take into account the times when the tool is switched off or when it is running but not actually doing the job. This may significantly reduce the exposure level over the total working period.

Identify additional safety measures to protect the operator from the effects of vibration and/or noise such as: maintain the tool and the accessories, keep the hands warm, organization of work patterns.

**⚠ WARNING Read these instructions carefully, be familiar with the controls and the proper use of the machine. Save all warnings and instructions for future reference.**

### CORDLESS BLOWER SAFETY WARNINGS

#### Training

Read the instructions carefully. Be familiar with the controls and the correct use of the machine.

Keep in mind, that the operator or user is responsible for accidents or hazards occurring to other people or their property.

#### Preparation

Obtain ear protection and safety glasses. Wear them at all times while operating the machine.

While operating the machine always wear substantial footwear and long trousers. Do not operate the machine when barefoot or wearing open sandals. Avoid wearing clothing that is loose fitting or that has hanging cords or ties.

Do not wear loose clothing or jewellery that can be drawn into the air inlet. Keep long hair away from the air inlets.

Operate the machine in a recommended position and only on a firm, level surface.

Do not operate the machine on a paved or gravel surface where ejected material could cause injury.

#### Operation

Never operate the machine while people, especially children, or pets are nearby.

Always stand clear of the discharge zone when operating this machine.

If the machine becomes clogged, remove the battery before cleaning debris.

Never operate the machine with defective guards or shields, or without safety devices, for example debris collector in place.

Stop the machine, and remove the battery from the tool. Make sure that all moving parts have come to a complete stop

- whenever you leave the machine,
- before clearing blockages or unclogging chute,
- before checking, cleaning or working on the machine.

The blower shall not be used for sucking!

Do not blow hot, flammable or explosive material.

Use the machine only in daylight or good artificial light.

Always be sure of your footing on slopes.

Never blow in the direction of bystanders. Do not operate without tubes in place.

Walk, never run.

Keep all cooling air inlets clear of dirt.

Pay attention that bystanders are not injured through foreign objects thrown from the machine.

Do not use for sucking liquids!

Do not overreach and keep your balance at all times.

Do not use in the rain or leave outdoors while it is raining.

If the product is dropped, suffers heavy impact, or begins to vibrate abnormally, immediately stop the product and inspect for damage or identify the cause of the vibration. Any damage should be properly repaired or replaced by an authorised service centre.

#### Maintenance and storage

When the machine is stopped for servicing, inspection, or storage, or to change an accessory, remove the battery and make sure that all moving parts are come to a complete stop. Allow the machine to cool before making any inspections, adjustments, etc. Maintain the machine with care and keep it clean.

Store the machine in a dry place out of the reach of children.

Always allow the machine to cool before storing.

Do not modify this blower. Unauthorized modifications may impair the safety of your product and may result in increased noise and vibration.

Keep all nuts, bolts and screws tight to be sure that the machine is in safe working condition.

Examine the machine and replace worn or damaged parts for safety.

Replace worn or damaged parts for safety. Use only genuine replacement parts and accessories.

Never attempt to override the interlocked feature of the guard.

### ADDITIONAL SAFETY INSTRUCTIONS

Never allow children, persons with reduced physical, sensory or mental capabilities or lack of experience and knowledge or people unfamiliar with these instructions to use the machine, local regulations may restrict the age of the operator.

Children being supervised not to play with the appliance.

Remove the battery pack before starting any work on the machine.

Do not dispose of used battery packs in the household refuse or by burning them. Milwaukee Distributors offer to retrieve old batteries to protect our environment.

Do not store the battery pack together with metal objects (short circuit risk).

Use only System M18 chargers for charging System M18 battery packs.

Do not use battery packs from other systems.

Battery acid may leak from damaged batteries under extreme load or extreme temperatures. In case of contact with battery acid wash it off immediately with soap and water. In case of eye contact rinse thoroughly for at least 10 minutes and immediately seek medical attention.

**Warning!** To reduce the risk of fire, personal injury, and product damage due to a short circuit, never immerse your tool, battery pack or charger in fluid or allow a fluid to flow inside them. Corrosive or conductive fluids, such as seawater, certain industrial chemicals, and bleach or bleach containing products, etc., can cause a short circuit.

### RESIDUAL RISK

Even when the product is used as prescribed, it is still impossible to completely eliminate certain residual risk factors. The following hazards may arise in use and the operator should pay special attention to avoid the following:

- Injury caused by vibration  
Hold the product by designated handles and restrict working time and exposure.
- Exposure to noise can cause hearing injury  
Wear ear protection and limit exposure.
- Injury due to flying debris  
Wear eye protection, heavy long trousers, gloves and substantial footwear at all times.

### SPECIFIED CONDITIONS OF USE

The cordless blower is intended for blowing of dirt and leaves.

Do not use this product in any other way as stated for normal use.



## NOTES FOR LI-ION BATTERIES

### Use of Li-Ion batteries

Batteries which have not been used for some time should be recharged before use.

Temperatures in excess of 50°C (122°F) reduce the performance of the battery. Avoid extended exposure to heat or sunshine (risk of overheating).

The contacts of chargers and battery packs must be kept clean.

For an optimum life-time, the batteries have to be fully charged, after used.

To obtain the longest possible battery life remove the battery pack from the charger once it is fully charged.

For battery storage longer than 30 days:  
Store the battery where the temperature is below 27°C and away from moisture  
Store the battery in a 30% - 50% charged condition  
Every six months of storage, charge the battery as normal.

### Battery protection for Li-Ion batteries

In extremely high torque, binding, stalling and short circuit situations that cause high current draw, the tool will vibrate for about 5 seconds, the fuel gauge will flash, and then the tool will turn OFF. To reset, release the trigger.  
Under extreme circumstances, the internal temperature of the battery could become too high. If this happens, the fuel gauge will flash and the battery pack cool and then continue work.

### Transport of Li-Ion batteries

Lithium-ion batteries are subject to the Dangerous Goods Legislation requirements.

Transportation of those batteries has to be done in accordance with local, national and international provisions and regulations.

- The user can transport the batteries by road without further requirements.
- Commercial transport of Lithium-Ion batteries by third parties is subject to Dangerous Goods regulations.  
Transport preparation and transport are exclusively to be carried out by appropriately trained persons and the process has to be accompanied by corresponding experts.

When transporting batteries:

- Ensure that battery contact terminals are protected and insulated to prevent short circuit.
- Ensure that battery pack is secured against movement within packaging.
- Do not transport batteries that are cracked or leak.

Check with forwarding company for further advice

## CLEANING

The ventilation slots of the machine must be kept clear at all times.

## MAINTENANCE

Keep all nuts, bolts and screws tight to be sure that the machine is in safe working condition.

Examine the machine and replace worn or damaged parts for safety.

Use only Milwaukee accessories and Milwaukee spare parts. Should components need to be replaced which have not been described, please contact one of our Milwaukee service agents (see our list of guarantee/service addresses).

If needed, an exploded view of the tool can be ordered. Please state the machine type printed as well as the six-digit No. on the label and order the drawing at your local

service agents or directly at: Techtronic Industries GmbH, Max-Eyth-Straße 10, 71364 Winnenden, Germany.

## SYMBOLS

	Please read the instructions carefully before starting the machine.
	CAUTION! WARNING! DANGER!
	Remove the battery pack before starting any work on the machine.
	Always wear goggles when using the machine.
	Wear ear protectors!
	Wear a suitable dust protection mask.
	Wear gloves!
	Never expose tool to rain.
	Failure to keep hands away from the air inlet could result in personal injury.
	Failure to keep long hair away from the air inlet could result in personal injury.
	Do not wear loose clothing or jewellery that can be drawn into the air inlet.
	Keep bystanders away.
	Ensure that nobody is at risk of materials being catapulted out or falling.



Do not dispose of waste batteries, waste electrical and electronic equipment as unsorted municipal waste. Waste batteries and waste electrical and electronic equipment must be collected separately.  
Waste batteries, waste accumulators and light sources have to be removed from equipment. Check with your local authority or retailer for recycling advice and collection point.  
According to local regulations retailers may have an obligation to take back waste batteries and Waste electrical and electronic equipment free of charge.  
Your contribution to re-use and recycling of waste batteries and waste electrical and electronic equipment helps to reduce the demand of raw materials.  
Waste batteries, in particular containing lithium and waste Electrical and electronic equipment contain valuable, recyclable materials, which can adversely impact the environment and the human health, if not disposed of in an environmentally compatible manner.  
Delete personal data from waste equipment, if any.



The guaranteed sound power level shown on this label is 83 dB.



No-load speed



Voltage



Direct Current



European Conformity Mark



British Conformity Mark



Ukraine Conformity Mark



EurAsian Conformity Mark

## GB-DECLARATION OF CONFORMITY

We declare as the manufacturer under our sole responsibility that the product described under "Technical Data" fulfills all the listed below relevant regulations and that the following designated standards have been used.

S.I. 2012/3032 (as amended)  
S.I. 2016/1091 (as amended)  
S.I. 2008/1597 (as amended)  
S.I. 2001/1701 (as amended)

BS EN 60335-1:2012+A11:2014+A13:2017+A14:2019  
+A1:2019+A2:2019+A15:2021  
BS EN 50636-2-100:2014  
BS EN IEC 55014-1:2021  
BS EN IEC 55014-2:2021  
BS EN 62233:2008  
BS EN IEC 63000:2018

Measured sound power level: 81,5 dB (A)  
Guaranteed sound power level: 83 dB (A)  
Conformity assessment to Schedule 8 Directive S.I. 2001/1701

Winnenden, 2022-02-21



Alexander Krug  
Managing Director

Techtronic Industries GmbH  
Max-Eyth-Straße 10  
71364 Winnenden  
Germany

Authorized to compile the technical file:

Techtronic Industries (UK) Ltd  
Parkway  
Marlow SL7 1YL  
UK



Copyright 2022

Techtronic Industries GmbH  
Max-Eyth-Str. 10  
71364 Winnenden  
Germany

+49 (0) 7195-12-0

[www.milwaukeeetool.eu](http://www.milwaukeeetool.eu)

Techtronic Industries (UK) Ltd  
Parkway  
Marlow SL7 1YL  
UK

(05.22)

**4100 4707 11**